



# DIKAI



## DSU5000 UV Laser

DSU5000 Laser coding machine, using a new intelligent vector control algorithm, marking speed greatly improved. The unique laser control technology can easily mark the best printing effect on the film material. Compact size, low maintenance, no consumable, to provide permanent high quality coding. Permanent and high contrast marking to ensure product can be tracking, anti-counterfeiting and anti-channelization.

### High speed High quality

- ◆ Up to 700 characters per second
- ◆ New intelligent control algorithm
- ◆ Enhanced anti-electromagnetic interference design ensure stable operation in harsh environments.

### Easy to install

- ◆ Compact with unique design for better integration
- ◆ Compact size can adapt to narrow installation.

### Permanent identification

- ◆ Almost unlimited fonts, graphics and bar code
- ◆ Permanent identification ensure product can be tracking, anti-counterfeiting and anti-channelization.

### Low maintenance Non consumable

- ◆ Innovative interact, easy to learn and understand
- ◆ One-button startup
- ◆ MTBF more than 20,000 hours
- ◆ Non-consumable, cost saving.



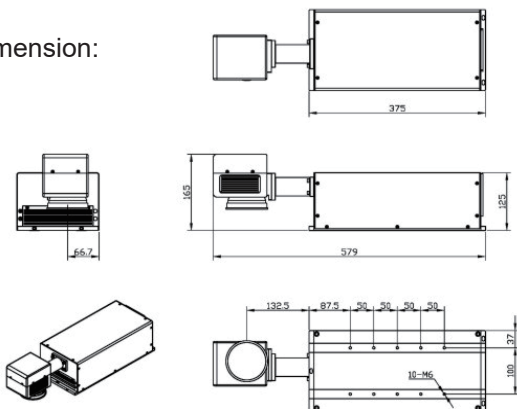
# DIKAI

### Specifications:

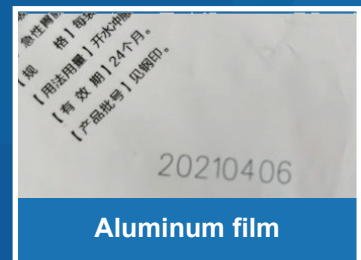
Applications		HDPE, Such as food, pipes, chemical products etc.
Scan Mode		X.Y axial simultaneous sacn
Marking Mode	Flying Mark	9000mm/s(Depend on Materials)
	Static Mark	Multiple products can be mark simultaneously
Marking Laser	Laser Type	UV Laser
	Wavelength	355nm
	Output	5W
Guide Laser		Infrared Beam Positioning
Marking Area		70*70 110*110 175*175 300*300mm Optional
Scan Speed		≥12000mm/S
Software Controller		WinCE Touch Screen
Character Type	Fonts	Single/Double Font
	Bar Codes	Code39/Code25/EAN-13/Code128
	2D Codes	QRCode & DM
	Graphic	PLT Input/Output
Marking Conditions	Marking Status	Product quantity etc.
	Character Size	0.1mm-110mm
Input/Output		Sensor/Encoder
Connection		SD card/USB2.0/Communication interface
Laser Installaion Direction		No Limited
Cooling		Water Cooling
Power & Temp	Supply Voltage	AC220V 50HZ
	Power	1200W
	Storage Temperature	-10℃-45℃ (No freeze)
	Working Temperature	
Environment Resistance	Storage Humidity	10%-85% (No condensation)
	Working Humidity	
Pollution Degree		No chemicals are produces
Dimension	Weight	120KG
	Specification	780mm*660mm*1480mm

\* Print characters per second, production line speed depends on packaging material and print content

### Dimension:



### Samples:



### Installation:

