



PACKWAY®

SINCE 1979 PACKAGING SYSTEMS

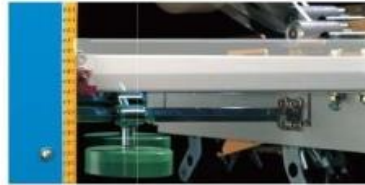
PW-554TS

AUTO CARTON SEALING MACHINE



FEATURE OF PW-554TS:

PW-554TS has a total of 4 drive belts, two side drive belts and two top drive belts. Three motors are supplied to drive belts. The machine has been designed for heavy cartons and can also seal tall-thin cartons.



- Flexible cushion prevents jamming of cartons under the top taping head.



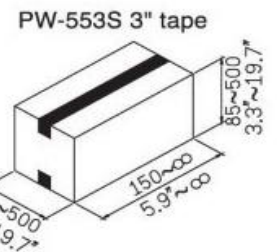
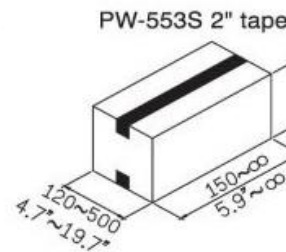
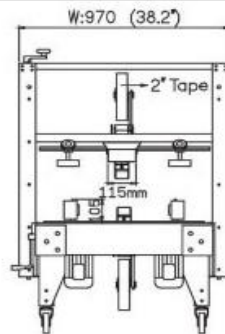
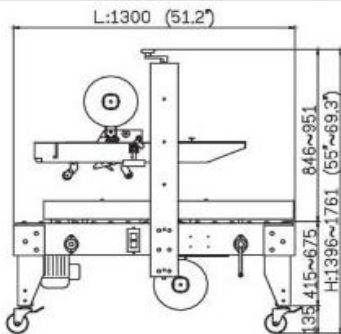
Options:

- Extension Roller table.
- Close type—table Roller or Extension Roller table.
- Auto Stop device.

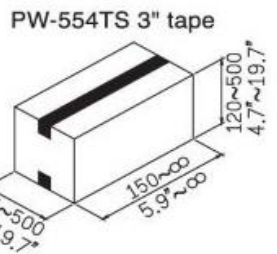
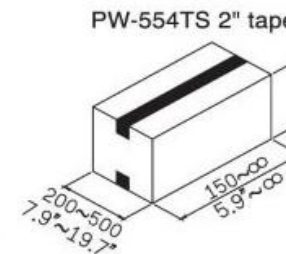
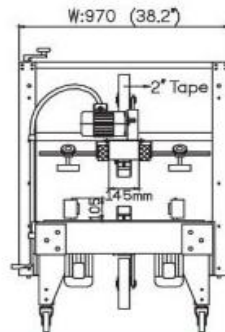
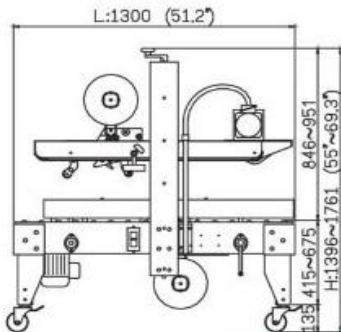
Note:

It's not suitable to use this machine if the carton's height exceeds the length.

PW-553S



PW-554TS



size : mm / inch

SPECIFICATIONS : • Other spec is on request.

Model	PW-553S	PW-554TS
Power supply	1Ø, 110V, 220V (50/60Hz) 3Ø, 220V, 380V, 440V (50/60Hz) Two motors, 370W	1Ø, 110V, 220V (50/60Hz) 3Ø, 220V, 380V, 440V (50/60Hz) Three motors, 555W
Sealing speed	20M / per min at 60Hz	20M / per min at 60Hz
Cartons / hr	2400 cartons per hour (60Hz) (carton L300 x W300 x H300mm)	2400 cartons per hour (60Hz) (carton L300 x W300 x H300mm)
Tape width	2" or 3" (2 or 2.5 tape also can be used in 3" tape head with paper roll)	2" or 3" (2 or 2.5 tape also can be used in 3" tape head with paper roll)
Shipping size	L1380 x W1050 x H1470 (mm) L54.3 x W41.3 x H57.9 (inch)	L1380 x W1050 x H1470 (mm) L54.3 x W41.3 x H57.9 (inch)
N.W.	125kgs, 275(lbs)	150kgs, 330(lbs)
G.W.	175kgs, 385(lbs)	200kgs, 441(lbs)

Note: Specifications subject to change without notice.

Distributor: